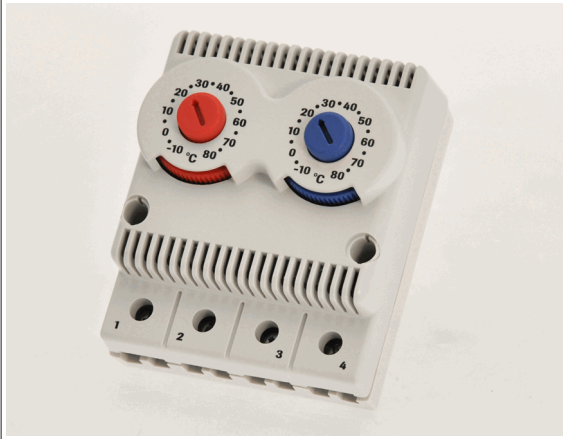
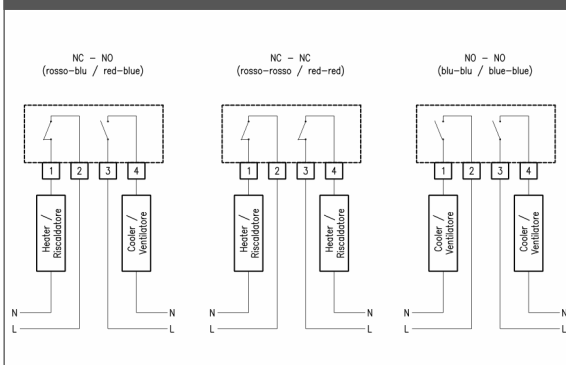
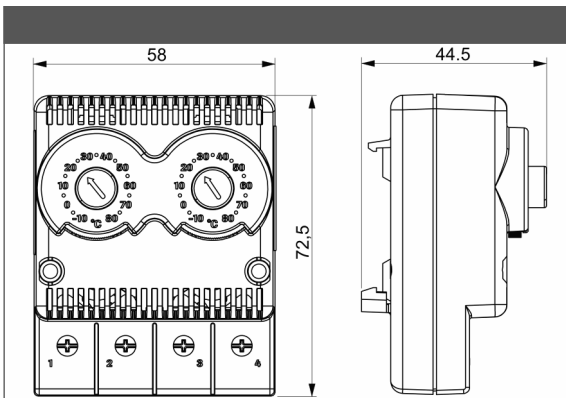


MECHANICAL THERMOSTAT

Description: **Twin Thermostat for rail**



Version	NC-NO (red-blue) ; NC-NC (red-red) ; NO-NO (blue-blue)
Enclosure material	PC/ABS Alloy
Color	grey RAL 7035
Protection degree:	IP20
Rated Current:	terminals 1-2: 10A terminals 3-4: 10A
Appliance class:	class II
Mounting on:	DIN rail 35 mm (EN 50 022)
Fixing method:	snap on
Electrical connection:	screw terminals
Electrical section wires:	from 0.75 mm ² to 2.5 mm ²
Sensing element type:	bi-metallic
Setting/indexing:	external Knob / 5°C
Storage temperature:	from -40°C to +90°C
Max air humidity	95% RH at 25°C (not condensing)
Temperature scale:	available with Fahrenheit degree scale (°F)
External dimensions:	58x72.5x44.5 mm
Endurance:	100.000 + 100.000 cycles
Applicable standards:	EN 60730-1
Approvals:	CE, cURus



Model	Rated Voltage Range	Rated Current	Contact Current	Setting Range	Differential (referred to set point)	Accuracy	Net Weight
		(A) *	(A)	(°C)	(°C)	(°C)	(kg)
TRT2-10A230V-NCNC	60 V d.c.;110-250 V a.c.	10 + 10	15 + 15	-10 ~ 80	-3	±3	0.1
TRT2-10A230V-NCNO	60 V d.c.;110-250 V a.c.	10 + 10	15 + 15	-10 ~ 80	-3 (NC) / +4 if A < 5 ; +7 if A > 5 (NO)	±3	0.1
TRT2-10A230V-NONO	60 V d.c.;110-250 V a.c.	10 + 10	15 + 15	-10 ~ 80	+4 if A < 5 ; +7 if A > 5	±3	0.1

(*) resistive load (or 1/6 hp motor load + 1/6 hp motor load)

All specifications, data and drawing are subject to change without notice and are approximate. Please refer to our terms of sales including our warranty and limited liabilities clauses.